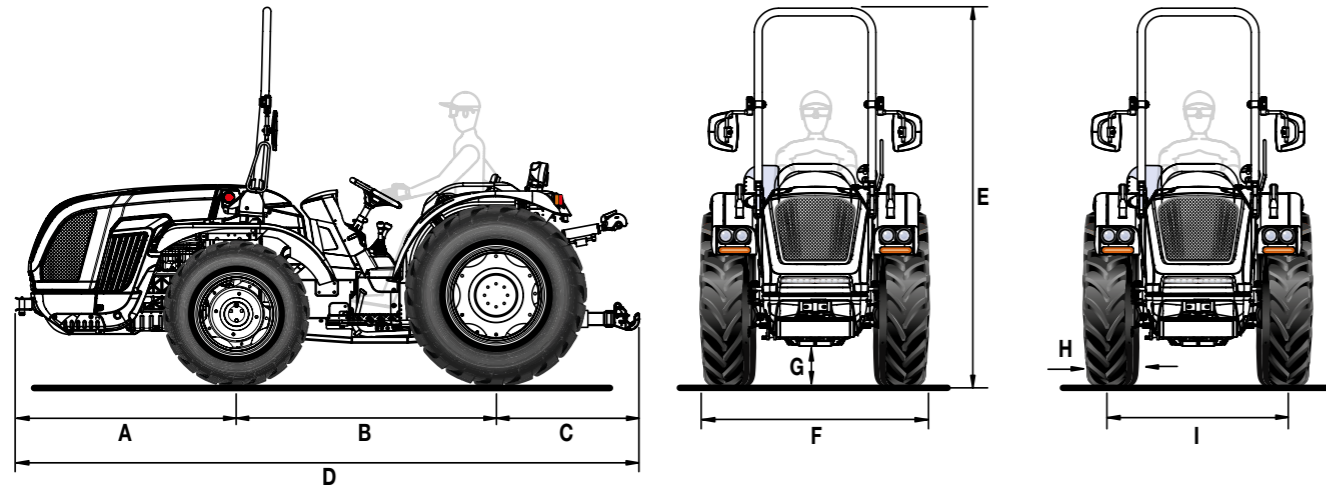


# STELLAR 85 RS

## Data Sheet



A	B	C	D	E min/max	G min/max
1348	1607	968	3923	2216 / 2291	157 / 232

\* Dimensions in mm

	260/70 R16	300/70 R20	260/70 R16	340/65 R20	250/80-16	320/85 R20	280/70 R18	360/70 R20	280/70 R18	420/65 R20
	front	rear	front	rear	front	rear	front	rear	front	rear
H	258	295	258	343	240	319	265	357	265	418
I	1122 / 1522	1054 / 1490	1122 / 1522	1054 / 1490	1122 / 1522	1054 / 1490	1098 / 1538	1170 / 1490	1098 / 1538	1170 / 1490
F	1380 / 1780	1349 / 1785	1380 / 1780	1397 / 1833	1362 / 1762	1373 / 1809	1363 / 1803	1527 / 1847	1363 / 1803	1588 / 1908

	250/80-18	280/85 R24 (11.2 R24)	320/65 R18	320/70 R24	320/65 R18	380/70 R20	280/70 R18	380/70 R20	280/70 R18	320/70 R24
	front	rear	front	rear	front	rear	front	rear	front	rear
H	240	292	319	316	319	380	265	380	265	316
I	1098 / 1538	1034 / 1518	1166 / 1470	1132 / 1518	1166 / 1470	1170 / 1490	1098 / 1538	1170 / 1490	1098 / 1538	1034 / 1518
F	1338 / 1778	1326 / 1810	1485 / 1789	1451 / 1837	1485 / 1789	1550 / 1870	1363 / 1803	1550 / 1870	1363 / 1803	1353 / 1837

\* Dimensions in mm - min / max  
H = Tyre width - I = Wheel track - F = Tractor width

TECHNICAL FEATURES	STELLAR 85 RS
<b>ENGINE</b>	Kohler KDI 2504 TCR
No. of cylinders	4 in-line / 16 valves
Displacement (cc)	2482
Intake	Turbo / Intercooler
Fuel system	"Common rail" direct injection - 2000 bar
Emissions compliance	Stage V
Balancing	Counter-balance shafts
Power (kW/hp)	55.4 / 75.3
Rated speed (rpm)	2300
Max torque (Nm/rpm)	300 / 1500
Engine speed management	Electronically regulated via hand lever and button with function for memorize and recall the set speed
Cooling	Liquid
Tank capacity (l)	78
<b>CHASSIS</b>	Swinging integral chassis (±15°) OS-FRAME with steering wheels
<b>DRIVE</b>	Four-wheel drive. Front-wheel drive disengagement with electro-hydraulic control
<b>TRANSMISSION</b>	32-speed synchronised gearbox: 16 FWD and 16 REV with synchronised reverser
Min/max travel speed (km/h)	0.7 / 40
Transmission clutch	Multidisc in oil bath with hydraulic control
<b>DIFFERENTIAL</b>	Front and rear. Differential lock: front and rear simultaneously or rear only with electro-hydraulic control
<b>AXLES</b>	Front with planetary reduction units and rear with bull-gear units
<b>REAR PTO</b>	Independent from the gearbox and synchronised with the forwarding speed. Negative safety hydraulic brake to stop the PTO
<b>PTO clutch</b>	Multidisc in oil bath with electro-hydraulic control
PTO rotation speed (rpm)	Standard: 540/540E - Optional: 540/1000
<b>HYDRAULIC SYSTEM</b>	Dual circuit with independent pumps and heat exchanger
Flow rate to the hydroguide and the electro-hydraulic controls (l/min)	33.5
Flow rate to the lift and the control valves (l/min)	29.5 (optional oversized pump with 51 l/min flow rate)
Maximum hydraulic pressure (bar)	180
<b>REAR CONTROL VALVES</b>	Mechanically controlled
Standard	1 double-acting with float + free flow oil return (total 3 hydraulic outlets)
Optional and in addition to the standard ones	2 double-acting (total 7 hydraulic outlets) or 1 double-acting and 1 double-acting with lockable position (total 7 hydraulic outlets)
<b>REAR LIFT</b>	By two external rams. Standard: raising/lowering - Optional: position and draft control
3-point implement hitch	Standard: Normal couplings cat. 1 and 2. Optional: fixed arms with quick-couplings cat. 1 and 2 or L-shaped arms with quick-couplings cat. 1 and 2
Third point tie rod	Standard: with manual adjustment - Optional: hydraulically controlled upper link and tie rod link arm
Ball joint lifting capacity (kg)	2700
<b>DRIVING POSITION</b>	Monodirectional with footstep driving position
Steering wheel	Standard: fixed - Optional: height adjustable
Seat	With safety belt and man-on-board sensor. Standard: comfort seat with adjustable spring tension according to the operator's weight - Optional: 'Kab' lowered seat
<b>SERVICE BRAKES</b>	Multidisc in oil bath with mechanical control, acting on the rear wheels with automatic engagement of the 4-wheel drive. Independent manoeuvring brakes acting on the rear wheels
Parking brake	Acting on service brakes
<b>STEERING</b>	Hydrostatic steering acting on the front wheels
<b>SAFETY</b>	Front homologated roll-bar with gas springs for easy lowering and lifting
<b>DASHBOARD</b>	With TFT colour display showing: hours of operation, engine rpm, forwarding speed, PTO rpm, particulate filter clogging level, instantaneous fuel consumption, battery voltage and current time. Analogue instrumentation complete with engine rpm, engine coolant temperature and fuel level indicator. Warning lights and acoustic alarm
<b>ELECTRIC SYSTEM</b>	Battery 80 Ah / 12 V - Alternator 95 A
Standard equipment	Vehicle Control Unit, street light and indicator system, single-pole dashboard socket, rear 7-pin and 3-pin sockets
<b>TYRES</b>	260/70R16*300/70R20 - 260/70R16*340/65R20 - 250/80-16*320/85R20 - 280/70-18*360/70R20 - 280/70R18*420/65R20 - 250/80-18*280/85R24 - 320/65R18*320/70R24 - 320/65R18*380/70R20 - 280/70R18*380/70R20 - 280/70-18*320/70R24
<b>TOW HOOKS (standard)</b>	Front - Rear CUNA cat. C adjustable in height
Optional	Rear tow hook: EC approved or EC with Slider frame or CUNA with Slider frame or EC tow bar with Slider frame
<b>RUNNING ORDER WEIGHT with roll-bar (kg)</b>	2260
<b>ADDITIONAL OPTIONS</b>	Front bumper, beacon lamp, front LED working lights, rear adjustable working light, Self Cleaning System™, front weights kg 150, wheel weights kg 50 each, cast iron flange kg 50 each for 20" rear wheels, cast iron flange kg 70 each for 24" rear wheels